

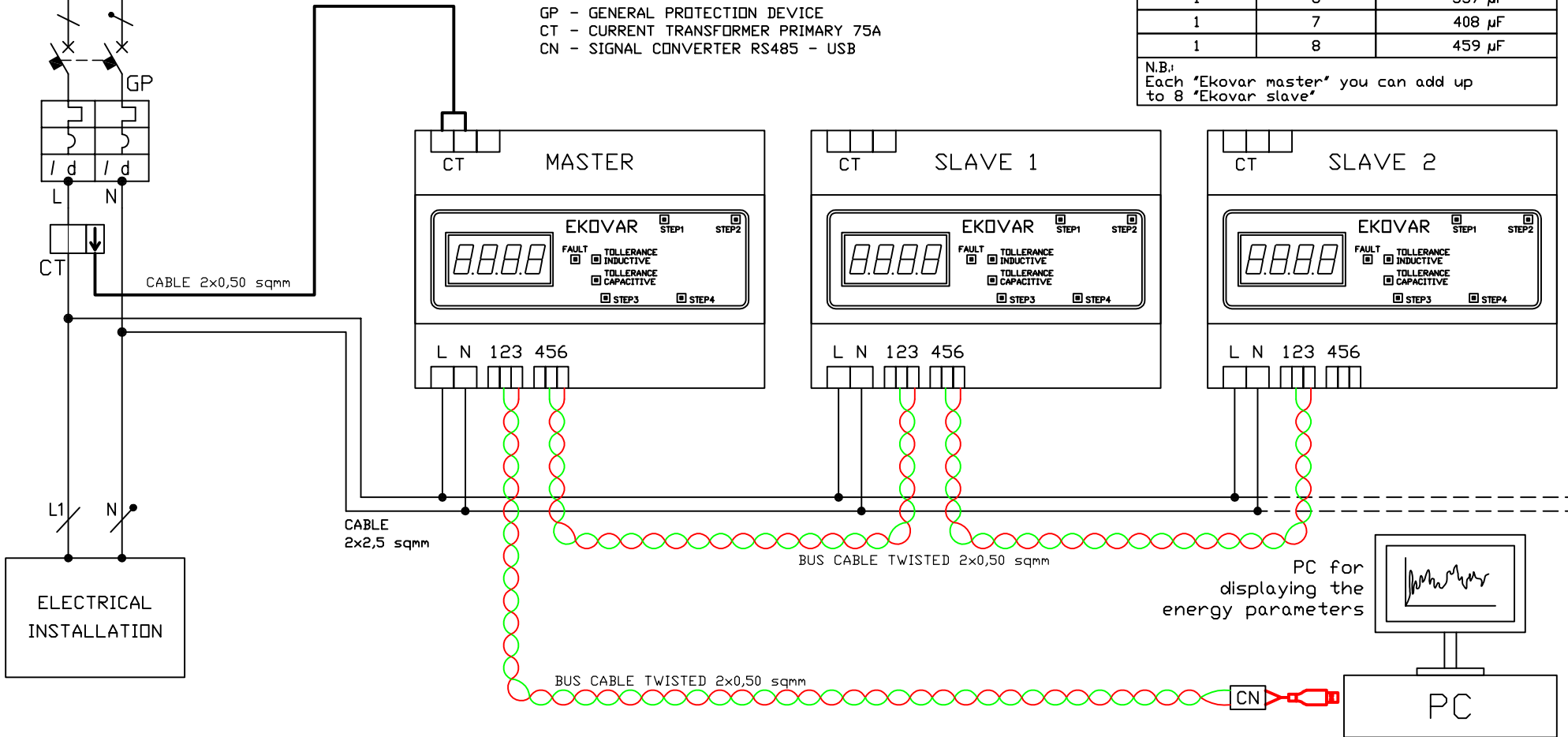
SUPPLY
3-4,5-6-10 kW
115/230V a.c
50/60 Hz

Legend:

- GP - GENERAL PROTECTION DEVICE
- CT - CURRENT TRANSFORMER PRIMARY 75A
- CN - SIGNAL CONVERTER RS485 - USB

COMBINATION OF CAPACITY IN RELATION TO THE NUMBER OF DEVICES INSTALLED		
EKOVAR MASTER N°	EKOVAR SLAVE N°	VALUES AVAILABE CAPACITY
1	0	51 µF
1	1	102 µF
1	2	153 µF
1	3	204 µF
1	4	255 µF
1	5	306 µF
1	6	357 µF
1	7	408 µF
1	8	459 µF

N.B.:
Each "Ekovar master" you can add up to 8 "Ekovar slave"



This design is proprietary. The reproduction and / or dissemination without permission is prohibited by in force law.