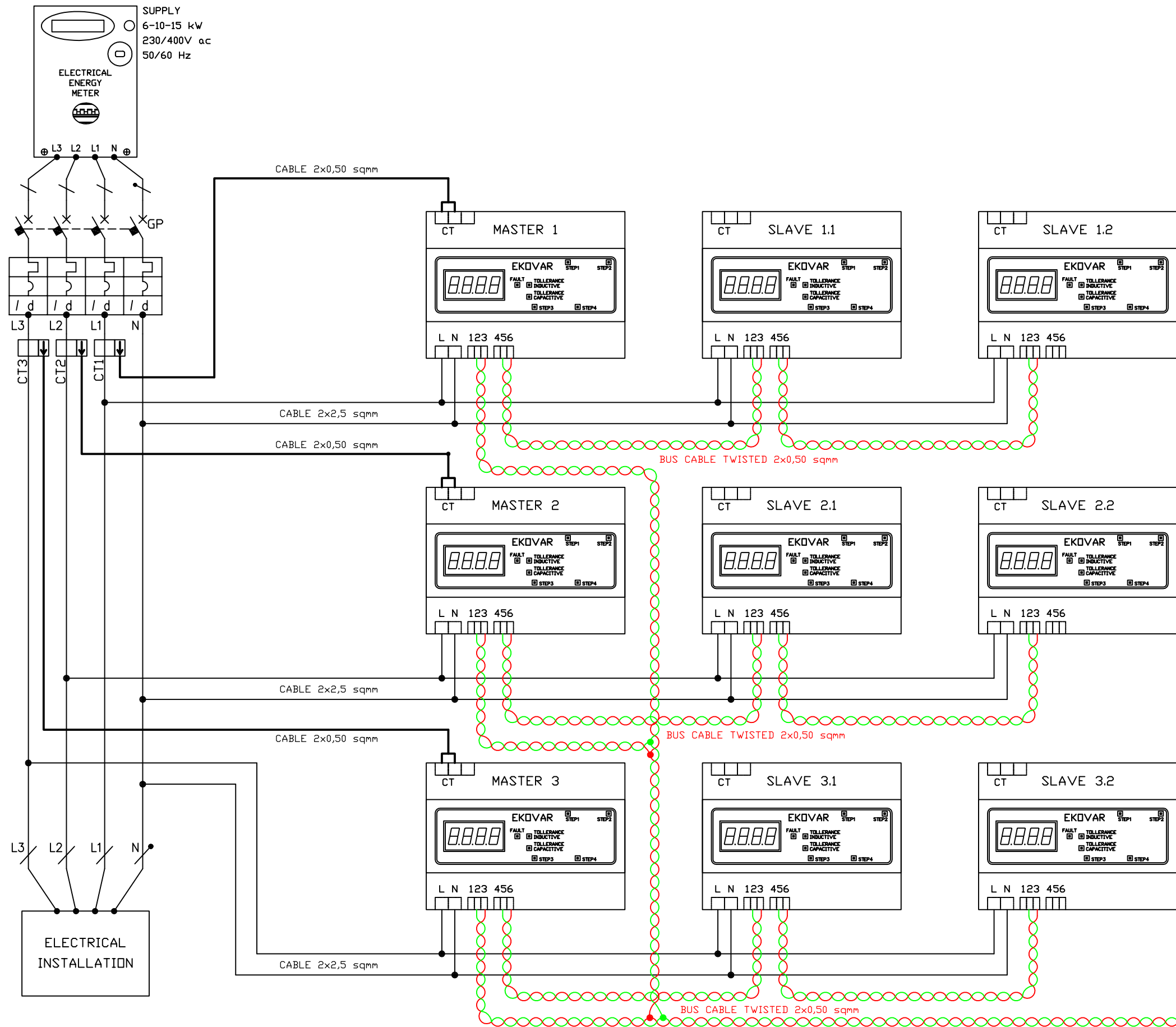


This design is proprietary. The reproduction and / or dissemination without permission is prohibited by in force law.



COMBINATION OF CAPACITY IN RELATION TO THE NUMBER OF DEVICES INSTALLED		
EKOVAR MASTER N°	EKOVAR SLAVE N°	VALUES AVAILABLE CAPACITY
1	0	51 μ F
1	1	102 μ F
1	2	153 μ F
1	3	204 μ F
1	4	255 μ F
1	5	306 μ F
1	6	357 μ F
1	7	408 μ F
1	8	459 μ F

N.B.:
Each "Ekovar master" you can add up to 8 "Ekovar slave"

Legend:
 GP - GENERAL PROTECTION DEVICE
 CT - CURRENT TRANSFORMER PRIMARY 75A
 CN - SIGNAL CONVERTER RS485 - USB

