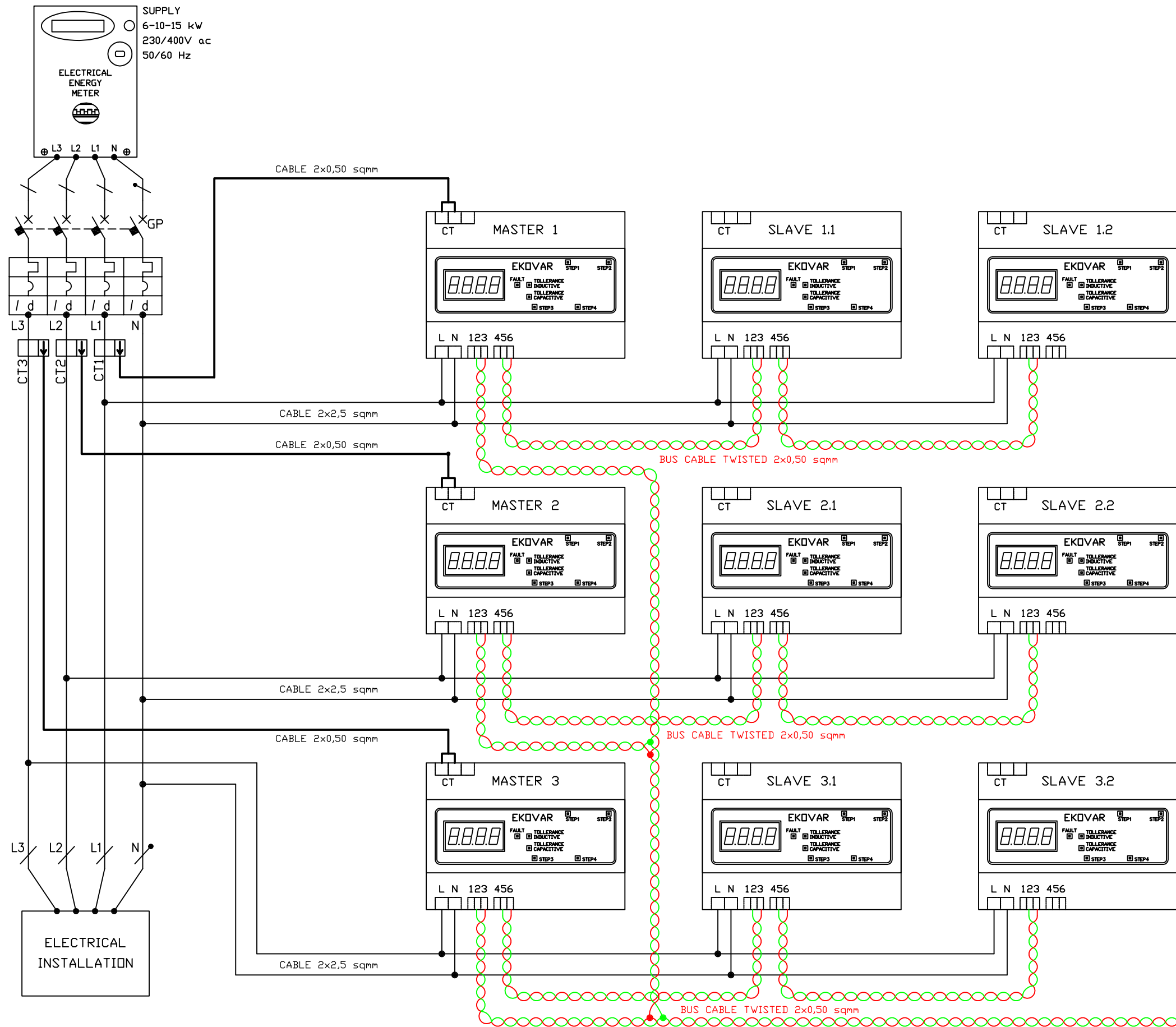


This design is proprietary. The reproduction and / or dissemination without permission is prohibited by in force law.



| COMBINATION OF CAPACITY IN RELATION TO THE NUMBER OF DEVICES INSTALLED | | |
|--|-----------------|---------------------------|
| EKOVAR MASTER N° | EKOVAR SLAVE N° | VALUES AVAILABLE CAPACITY |
| 1 | 0 | 35 μ F |
| 1 | 1 | 70 μ F |
| 1 | 2 | 105 μ F |
| 1 | 3 | 140 μ F |
| 1 | 4 | 175 μ F |
| 1 | 5 | 210 μ F |
| 1 | 6 | 245 μ F |
| 1 | 7 | 280 μ F |
| 1 | 8 | 315 μ F |

N.B.:
Each "Ekovar master" you can add up to 8 "Ekovar slave"

Legend:
 GP - GENERAL PROTECTION DEVICE
 CT - CURRENT TRANSFORMER PRIMARY 75A
 CN - SIGNAL CONVERTER RS485 - USB

